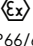







## Rigid Conduit Fittings for Ex d/e applications

# E-CARINA



| Technical Details   |   |   |
|---|---|---|
| <b>Material</b>   | <b>Body</b>   | Brass, Brass Nickel Plated, Stainless Steel 316L, Aluminium   |
|   | <b>Seal</b>   | CR (Chloroprene), Silicone  |
|   | <b>O-ring</b>   | CR (Chloroprene), Silicone  |
| <b>Ingress Protection Rating</b>  |   | IP 68 - 5 Bar, 30 min<br>IP 66  |
| <b>Operating Temperature</b>  | <b>Seal Material</b>  |   |
|   | <b>CR (Chloroprene)</b>   | <b>Silicone</b>   |
| <b>Ex d/tb</b>  | -40°C to +80°C  | -60°C to +80°C  |
| <b>Ex e/tb</b>  | -40°C to +80°C  | -60°C to +140°C   |
| <b>Equipment For</b>  | Gas & Dust potentially explosive atmospheres  |   |
| <b>Suitable for use in</b>  | Group II  | Gas Group IIC ZONE1/ZONE2   |
|   | Group III   | Dust Group IIIC ZONE21/ZONE 22  |
| <b>Equipment Marking</b>  | Ex II 2GD Ex db IIC Gb Ex eb IIC Gb Ex tb IIIC Db   |   |
| <b>Marking Example *</b>  | BMD EBM.. CE 0722  II 2GD Ex db IIC Gb Ex eb IIC Gb Ex tb IIIC Db<br>Ta -40°C to +80°C IP66/68 IMQ 13 ATEX 018X IECEx IMQ 13.0006X |   |
| <b>Thread Type</b>  | <ul style="list-style-type: none"> <li>• Metric (M) ISO Pitch 1,5</li> <li>• NPT (N) ANSI ASME B1.20.1</li> <li>• Other thread types also available upon request.</li> </ul>  |   |
| <b>Cable Type</b>   | Non Armoured  |   |
| <b>Accessories</b>  | <ul style="list-style-type: none"> <li>• Lock nuts</li> <li>• Gaskets (Washers)</li> <li>• Serrated Washers</li> <li>• Earth tags</li> </ul>  |   |
| <b>Remarks</b>  | <ul style="list-style-type: none"> <li>• Accessories must be ordered separately.</li> <li>• O-ring only available when male thread is Metric.</li> </ul>  |   |
| Approvals   | Certificate Number  | Standards   |
|    | IMQ 13 ATEX 018X  | EN 60079-0:2012+A11:2013<br>EN 60079-7:2015<br>EN 60079-31:2014<br>EN 60079-1:2014                                    |
|   | IECEx IMQ 13.0006X  | IEC 60079-0:2011 Edition:6<br>IEC 60079-7:2015 Edition:5<br>IEC 60079-31:2013 Edition:2<br>IEC 60079-1:2014 Edition:7 |
|  | № TC RU C-TR.AA87.B.00941   | ГОСТ 31610.0-2014<br>ГОСТ IEC 60079-1:2013<br>ГОСТ IEC 60079-31:2013  |
|  | DNV 12.0052 X   | ABNT NBR IEC 60079-0:2013<br>ABNT NBR IEC 60079-1:2009<br>ABNT NBR IEC 60079-7:2008<br>ABNT NBR IEC 60079-31:2011     |
|  | E-14044   | IEC/EN60079-0<br>IEC/EN60079-7<br>IEC/EN60079-31<br>IEC/EN60079-1<br>IEC/EN 62444                                     |

\*For details of approvals, see our website.

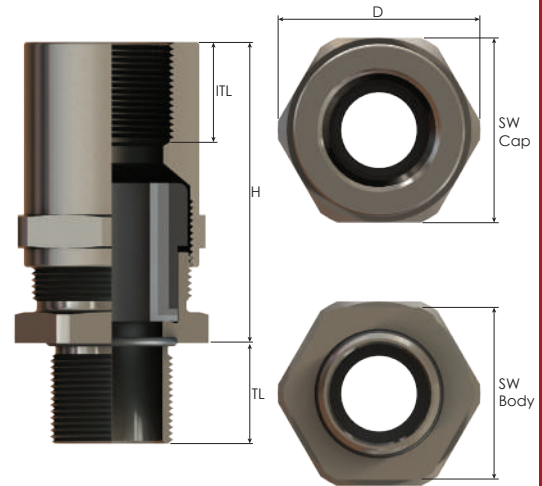
\* The standard marking consists ATEX & IECEx only. Marking acc. to other standards on request.



| Order Coding |  |                             |   |   |                     |            |             |          |
|--------------|--|-----------------------------|---|---|---------------------|------------|-------------|----------|
| Part Number  | Material   | Seal                        | - | Gasket (Washer)                           | Serrated Washer     | Lock Nut   | Earth Tag   | for Ex e |
| Mandatory    | Mandatory  | Mandatory                   | - | Option                                    | Option              | Option     | Option      | Option   |
| See table    | B Brass<br>BN Brass Nickel plated<br>X Stainless steel 316L<br>A Aluminium | C Chloroprene<br>S Silicone | - | WC Chloroprene<br>WS Silicone<br>WF Fiber | WSR Serrated washer | L Lock nut | E Earth tag | TL9      |
| Example      |  |                             |   |   |                     |            |             |          |
| EBMOSMOSN    | BN   | S                           | - | WC  | WSR                 | L          | E           | TL9      |

# E-CARINA

## Rigid Conduit Fittings for Ex d/e applications



Thread Type **METRIC** acc. to ISO 965-3

| Outer Thread Size (Male) | Inner Thread Size (Female) | Clamping Range |           | Outer Thread Length |             | Inner Thread Length | Spanner Width |       | Outer Ø | max. Height | Part Number |
|--------------------------|----------------------------|----------------|-----------|---------------------|-------------|---------------------|---------------|-------|---------|-------------|-------------|
|                          |                            | Ø min-max mm   | Seal Type | Ex-e min.           | Ex-d/e min. |                     | Cap           | Body  |         |             |             |
|                          |                            |                |           | TL m                | ITL mm      | SW Cap mm           | SW Body mm    | D mm  | H mm    |             |             |
| M12x1,5                  | NPT 1/4"                   | 4,0 - 8,0      | Triple    | 9,0                 | 16,0        | 24                  | 22            | 26,5  | 49,5    | EBM0S0SN*   |             |
|                          | NPT 3/8"                   | 4,0 - 8,0      | Triple    | 9,0                 | 16,0        | 24                  | 22            | 26,5  | 49,5    | EBM0S01N*   |             |
| M16x1,5                  | NPT 1/4"                   | 4,0 - 8,0      | Triple    | 9,0                 | 16,0        | 24                  | 22            | 26,5  | 49,5    | EBM01M0SN   |             |
|                          | NPT 3/8"                   | 4,0 - 12,0     | Triple    | 9,0                 | 16,0        | 24                  | 22            | 26,5  | 49,5    | EBM01M01N   |             |
|                          | NPT 1/2"                   | 4,0 - 12,0     | Triple    | 9,0                 | 16,0        | 24                  | 22            | 26,5  | 49,5    | EBM01M12N   |             |
| M20x1,5                  | NPT 3/8"                   | 4,0 - 12,0     | Triple    | 9,0                 | 16,0        | 24                  | 22            | 26,5  | 46,0    | EBM12M01N   |             |
|                          | NPT 1/2"                   | 4,0 - 12,0     | Triple    | 9,0                 | 16,0        | 24                  | 22            | 26,5  | 46,0    | EBM1M1N     |             |
|                          | NPT 1/2"                   | 10,0 - 16,0    | Triple    | 9,0                 | 16,0        | 30                  | 28            | 33,0  | 49,0    | EBM12M12N   |             |
|                          | NPT 3/4"                   | 10,0 - 16,0    | Triple    | 9,0                 | 16,0        | 30                  | 28            | 33,0  | 49,0    | EBM12M23N   |             |
| M25x1,5                  | NPT 1/2"                   | 10,0 - 16,0    | Triple    | 9,0                 | 16,0        | 30                  | 28            | 33,0  | 49,5    | EBM23M12N   |             |
|                          | NPT 3/4"                   | 10,0 - 18,0    | Triple    | 9,0                 | 16,0        | 30                  | 28            | 33,0  | 49,5    | EBM2M2N     |             |
|                          | NPT 3/4"                   | 14,0 - 20,0    | Triple    | 9,0                 | 16,0        | 35                  | 35            | 39,0  | 54,0    | EBM23M23N   |             |
|                          | NPT 1"                     | 14,0 - 20,0    | Triple    | 9,0                 | 16,0        | 35                  | 35            | 39,0  | 57,0    | EBM23M34N   |             |
| M32x1,5                  | NPT 3/4"                   | 14,0 - 20,0    | Triple    | 9,0                 | 16,0        | 35                  | 35            | 39,0  | 52,0    | EBM34M23N   |             |
|                          | NPT 1"                     | 14,0 - 24,0    | Triple    | 9,0                 | 16,0        | 35                  | 35            | 39,0  | 56,0    | EBM3M3N     |             |
|                          | NPT 1"                     | 22,0 - 26,0    | Triple    | 9,0                 | 16,0        | 45                  | 45            | 50,0  | 67,5    | EBM34M34N   |             |
|                          | NPT 1 1/4"                 | 22,0 - 28,0    | Triple    | 9,0                 | 16,0        | 50                  | 45            | 55,5  | 65,5    | EBM34M45N   |             |
| M40x1,5                  | NPT 1"                     | 22,0 - 26,0    | Triple    | 9,0                 | 18,0        | 45                  | 45            | 50,0  | 67,5    | EBM45M34N   |             |
|                          | NPT 1 1/4"                 | 22,0 - 32,0    | Triple    | 9,0                 | 18,0        | 50                  | 45            | 55,0  | 65,5    | EBM4M4N     |             |
|                          | NPT 1 1/4"                 | 26,0 - 34,0    | Triple    | 9,0                 | 18,0        | 50                  | 50            | 56,0  | 68,0    | EBM45M45N   |             |
|                          | NPT 1 1/2"                 | 26,0 - 34,0    | Triple    | 9,0                 | 18,0        | 50                  | 50            | 56,0  | 69,0    | EBM45M56N   |             |
| M50x1,5                  | NPT 1 1/4"                 | 26,0 - 34,0    | Triple    | 9,0                 | 18,0        | 50                  | 55            | 61,0  | 68,0    | EBM5M45N    |             |
|                          | NPT 1 1/2"                 | 26,0 - 35,0    | Triple    | 9,0                 | 18,0        | 55                  | 55            | 61,0  | 69,0    | EBM5M5N     |             |
|                          | NPT 1 1/2"                 | 35,0 - 41,0    | Triple    | 9,0                 | 18,0        | 64                  | 64            | 70,0  | 66,5    | EBM56M56N   |             |
|                          | NPT 2"                     | 35,0 - 44,0    | Triple    | 9,0                 | 18,0        | 68                  | 64            | 75,0  | 69,5    | EBM56M67N   |             |
| M63x1,5                  | NPT 1 1/2"                 | 35,0 - 41,0    | Triple    | 9,0                 | 18,0        | 64                  | 68            | 75,0  | 69,0    | EBM67M56N   |             |
|                          | NPT 2"                     | 35,0 - 45,0    | Triple    | 9,0                 | 18,0        | 68                  | 68            | 75,0  | 69,0    | EBM6M6N     |             |
|                          | NPT 2"                     | 46,0 - 52,0    | Triple    | 9,0                 | 18,0        | 80                  | 75            | 89,0  | 72,0    | EBM67M67N   |             |
|                          | NPT 2 1/2"                 | 46,0 - 56,0    | Triple    | 9,0                 | 18,0        | 80                  | 75            | 89,0  | 76,0    | EBM67M78N   |             |
| M75x1,5                  | NPT 2 1/2"                 | 46,0 - 62,0    | Triple    | 9,0                 | 20,0        | 80                  | 80            | 89,0  | 73,0    | EBM7M7N     |             |
|                          | NPT 2 1/2"                 | 60,0 - 64,0    | Triple    | 9,0                 | 20,0        | 95                  | 95            | 105,0 | 76,0    | EBM78M78N   |             |
|                          | NPT 3"                     | 60,0 - 69,0    | Triple    | 9,0                 | 20,0        | 95                  | 95            | 105,0 | 76,0    | EBM78M810N  |             |
| M90x1,5                  | NPT 2 1/2"                 | 60,0 - 64,0    | Triple    | 9,0                 | 20,0        | 105                 | 95            | 117,0 | 76,0    | EBM810M78N  |             |
|                          | NPT 3"                     | 60,0 - 75,0    | Triple    | 9,0                 | 20,0        | 105                 | 95            | 105,0 | 76,0    | EBM8M8N     |             |
|                          | NPT 3"                     | 75,0 - 79,5    | Triple    | 9,0                 | 20,0        | 105                 | 105           | 117,0 | 76,0    | EBM810M810N |             |
|                          | NPT 4"                     | 75,0 - 82,0    | Triple    | 9,0                 | 20,0        | 105                 | 105           | 117,0 | 76,0    | EBM810M10N  |             |
| M100x1,5                 | NPT 3"                     | 75,0 - 79,5    | Triple    | 9,0                 | 20,0        | 105                 | 105           | 117,0 | 76,0    | EBM10M810N  |             |
|                          | NPT 4"                     | 75,0 - 85,0    | Triple    | 9,0                 | 20,0        | 105                 | 105           | 117,0 | 76,0    | EBM10M10N   |             |
| M110x1,5                 | NPT 4"                     | 85,0 - 95,0    | Triple    | 9,0                 | 20,0        | 115                 | 115           | 128,0 | 77,0    | EBM11M11N   |             |

\* Only Ex e/ Ex tb execution.

## Rigid Conduit Fittings for Ex d/e applications

# E-CARINA



| Technical Details                |  |   |                 |
|----------------------------------|--|---|-----------------|
| <b>Material</b>                  | <b>Body</b>  | Brass, Brass Nickel Plated, Stainless Steel 316L, Aluminium   |                 |
|                                  | <b>Seal</b>  | CR (Chloroprene), Silicone  |                 |
|                                  | <b>O-ring</b>  | CR (Chloroprene), Silicone  |                 |
| <b>Ingress Protection Rating</b> |  | IP 68 - 5 Bar, 30 min   |                 |
|                                  |  | IP 66   |                 |
| <b>Operating Temperature</b>     | <b>Seal Material</b>   |   |                 |
|                                  |  | <b>CR (Chloroprene)</b>   | <b>Silicone</b> |
|                                  | <b>Ex d/tb</b>   | -40°C to +80°C  | -60°C to +80°C  |
|                                  | <b>Ex e/tb</b>   | -40°C to +80°C  | -60°C to +140°C |
| <b>Equipment For</b>             | Gas & Dust potentially explosive atmospheres   |   |                 |
| <b>Suitable for use in</b>       | Group II   | Gas Group IIC ZONE1/ZONE2   |                 |
|                                  | Group III  | Dust Group IIIC ZONE21/ZONE 22  |                 |
| <b>Equipment Marking</b>         | Ex II 2GD Ex db IIC Gb Ex eb IIC Gb Ex tb IIIC Db  |   |                 |
| <b>Marking Example *</b>         | BMD EBM.. CE 0722  II 2GD Ex db IIC Gb Ex eb IIC Gb Ex tb IIIC Db  |   |                 |
|                                  | Ta -40°C to +80°C IP66/68 IMQ 13 ATEX 018X IECEx IMQ 13.0006X  |   |                 |
| <b>Thread Type</b>               | <ul style="list-style-type: none"> <li>• Metric (M) ISO Pitch 1,5</li> <li>• NPT (N) ANSI ASME B1.20.1</li> <li>• Other thread types also available upon request.</li> </ul> |   |                 |
| <b>Cable Type</b>                | Non Armoured   |   |                 |
| <b>Accessories</b>               | • Lock nuts  |   |                 |
|                                  | • Gaskets (Washers)  |   |                 |
|                                  | • Serrated Washers   |   |                 |
|                                  | • Earth tags   |   |                 |
| <b>Remarks</b>                   | • Accessories must be ordered separately.  |   |                 |
|                                  | • O-ring only available when male thread is Metric.  |   |                 |
| <b>Approvals</b>                 | <b>Certificate Number</b>  | <b>Standards</b>  |                 |
|                                  | IMQ 13 ATEX 018X   | EN 60079-0:2012+A11:2013<br>EN 60079-7:2015<br>EN 60079-31:2014<br>EN 60079-1:2014                                    |                 |
|                                  | IECEx IMQ 13.0006X   | IEC 60079-0:2011 Edition:6<br>IEC 60079-7:2015 Edition:5<br>IEC 60079-31:2013 Edition:2<br>IEC 60079-1:2014 Edition:7 |                 |
|                                  | № TC RU C-TR.AA87.B.00941  | ГОСТ 31610.0-2014<br>ГОСТ IEC 60079-1:2013<br>ГОСТ IEC 60079-31:2013  |                 |
|                                  | DNV 12.0052 X  | ABNT NBR IEC 60079-0:2013<br>ABNT NBR IEC 60079-1:2009<br>ABNT NBR IEC 60079-7:2008<br>ABNT NBR IEC 60079-31:2011     |                 |
|                                  | E-14044  | IEC/EN60079-0<br>IEC/EN60079-7<br>IEC/EN60079-31<br>IEC/EN60079-1<br>IEC/EN 62444                                     |                 |

-For details of approvals, see our website.

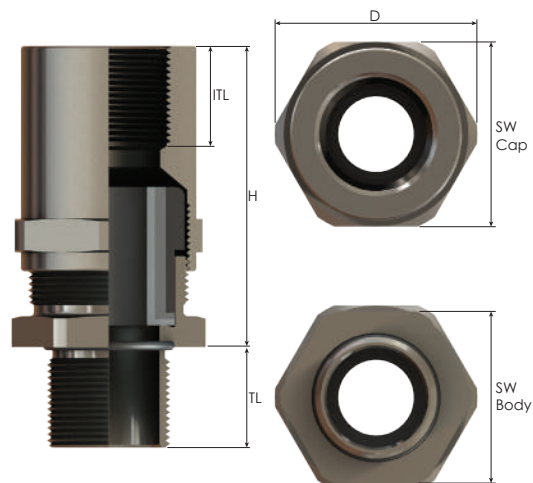
\* The standard marking consists ATEX & IECEx only. Marking acc. to other standards on request.



| Order Coding   |  |                             |   |   |                     |            |             |          |
|----------------|--|-----------------------------|---|---|---------------------|------------|-------------|----------|
| Part Number    | Material   | Seal                        | - | Gasket (Washer)                           | Serrated Washer     | Lock Nut   | Earth Tag   | for Ex e |
| Mandatory      | Mandatory  | Mandatory                   | - | Option                                    | Option              | Option     | Option      | Option   |
| See table      | B Brass<br>BN Brass Nickel plated<br>X Stainless steel 316L<br>A Aluminium | C Chloroprene<br>S Silicone | - | WC Chloroprene<br>WS Silicone<br>WF Fiber | WSR Serrated washer | L Lock nut | E Earth tag | TL9      |
| <b>Example</b> |  |                             |   |   |                     |            |             |          |
| EBMOSMOSN      | BN   | S                           | - | WC  | WSR                 | L          | E           | TL9      |

# E-CARINA

## Rigid Conduit Fittings for Ex d/e applications



Thread Type **NPT** acc. to ANSI ASME B1.20.1

| Outer Thread Size (Male) | Inner Thread Size (Female) | Clamping Range |           | Outer Thread Length | Inner Thread Length | Spanner Width |            | Outer Ø | max. Height | Part Number |
|--------------------------|----------------------------|----------------|-----------|---------------------|---------------------|---------------|------------|---------|-------------|-------------|
|                          |                            | Ø min-max mm   | Seal Type |                     |                     | SW Cap mm     | SW Body mm |         |             |             |
| NPT 1/4"                 | NPT 1/4"                   | 4,0 - 8,0      | Triple    | 16,0                | 16,0                | 24            | 22         | 26,5    | 49,5        | EBM0S0N0SN* |
|                          | NPT 3/8"                   | 4,0 - 8,0      | Triple    | 16,0                | 16,0                | 24            | 22         | 26,5    | 49,5        | EBM0S0N01N* |
| NPT 3/8"                 | NPT 1/4"                   | 4,0 - 8,0      | Triple    | 16,0                | 16,0                | 24            | 22         | 26,5    | 49,5        | EBM01N0SN   |
|                          | NPT 3/8"                   | 4,0 - 12,0     | Triple    | 16,0                | 16,0                | 24            | 22         | 26,5    | 49,5        | EBM01N01N   |
|                          | NPT 1/2"                   | 4,0 - 12,0     | Triple    | 16,0                | 16,0                | 24            | 22         | 26,5    | 49,5        | EBM01N12N   |
| NPT 1/2"                 | NPT 3/8"                   | 4,0 - 12,0     | Triple    | 16,0                | 16,0                | 24            | 22         | 26,5    | 46,0        | EBM12N01N   |
|                          | NPT 1/2"K                  | 4,0 - 12,0     | Triple    | 16,0                | 16,0                | 24            | 22         | 26,5    | 46,0        | EBM1N1N     |
|                          | NPT 1/2"                   | 10,0 - 16,0    | Triple    | 16,0                | 16,0                | 30            | 28         | 33,0    | 49,0        | EBM12N12N   |
|                          | NPT 3/4"                   | 10,0 - 16,0    | Triple    | 16,0                | 16,0                | 30            | 28         | 33,0    | 49,0        | EBM12N23N   |
| NPT 3/4"                 | NPT 1/2"                   | 10,0 - 16,0    | Triple    | 16,0                | 16,0                | 30            | 28         | 33,0    | 49,0        | EBM23N12N   |
|                          | NPT 3/4"K                  | 10,0 - 18,0    | Triple    | 16,0                | 16,0                | 30            | 28         | 33,0    | 49,0        | EBM2N2N     |
|                          | NPT 3/4"                   | 14,0 - 20,0    | Triple    | 16,0                | 16,0                | 35            | 35         | 39,0    | 53,0        | EBM23N23N   |
|                          | NPT 1"                     | 14,0 - 20,0    | Triple    | 16,0                | 20,0                | 35            | 35         | 39,0    | 57,0        | EBM23N34N   |
| NPT 1"                   | NPT 3/4"                   | 14,0 - 20,0    | Triple    | 20,0                | 16,0                | 35            | 35         | 39,0    | 52,0        | EBM34N23N   |
|                          | NPT 1"K                    | 14,0 - 24,0    | Triple    | 20,0                | 20,0                | 35            | 35         | 39,0    | 56,0        | EBM3N3N     |
|                          | NPT 1"                     | 22,0 - 26,0    | Triple    | 20,0                | 20,0                | 45            | 45         | 50,0    | 67,0        | EBM34N34N   |
|                          | NPT 1 1/4"                 | 22,0 - 26,0    | Triple    | 20,0                | 20,0                | 50            | 45         | 55,5    | 65,5        | EBM34N45N   |
| NPT 1 1/4"               | NPT 1"                     | 22,0 - 26,0    | Triple    | 20,0                | 20,0                | 45            | 45         | 50,0    | 67,5        | EBM45N34N   |
|                          | NPT 1 1/4"K                | 22,0 - 32,0    | Triple    | 20,0                | 20,0                | 50            | 45         | 55,5    | 65,5        | EBM4N4N     |
|                          | NPT 1 1/4"                 | 26,0 - 34,0    | Triple    | 20,0                | 20,0                | 50            | 50         | 55,5    | 68,0        | EBM45N45N   |
|                          | NPT 1 1/2"                 | 26,0 - 34,0    | Triple    | 20,0                | 20,0                | 50            | 50         | 55,5    | 69,0        | EBM45N56N   |
| NPT 1 1/2"               | NPT 1 1/4"                 | 26,0 - 34,0    | Triple    | 20,0                | 20,0                | 50            | 55         | 61,0    | 68,0        | EBM5N45N    |
|                          | NPT 1 1/2"K                | 26,0 - 35,0    | Triple    | 20,0                | 20,0                | 55            | 55         | 61,0    | 69,0        | EBM5N5N     |
|                          | NPT 1 1/2"                 | 35,0 - 41,0    | Triple    | 20,0                | 20,0                | 64            | 64         | 70,0    | 66,0        | EBM56N56N   |
|                          | NPT 2"                     | 35,0 - 41,0    | Triple    | 20,0                | 20,0                | 68            | 64         | 75,0    | 69,5        | EBM56N67N   |
| NPT 2"                   | NPT 1 1/2"                 | 35,0 - 41,0    | Triple    | 20,0                | 20,0                | 64            | 68         | 75,0    | 69,5        | EBM67N56N   |
|                          | NPT 2"K                    | 35,0 - 45,0    | Triple    | 20,0                | 20,0                | 68            | 68         | 75,0    | 69,5        | EBM6N6N     |
|                          | NPT 2"                     | 46,0 - 52,0    | Triple    | 20,0                | 20,0                | 80            | 75         | 89,0    | 75,5        | EBM67N67N   |
|                          | NPT 2 1/2"                 | 46,0 - 52,0    | Triple    | 20,0                | 21,0                | 80            | 75         | 89,0    | 76,0        | EBM67N78N   |
| NPT 2 1/2"               | NPT 2"                     | 46,0 - 52,0    | Triple    | 21,0                | 20,0                | 95            | 80         | 105,0   | 72,0        | EBM78N67N   |
|                          | NPT 2 1/2"K                | 46,0 - 62,0    | Triple    | 21,0                | 21,0                | 80            | 80         | 89,0    | 73,0        | EBM7N7N     |
|                          | NPT 2 1/2"                 | 60,0 - 64,0    | Triple    | 21,0                | 21,0                | 95            | 95         | 105,0   | 84,0        | EBM78N78N   |
|                          | NPT 3"                     | 60,0 - 64,0    | Triple    | 21,0                | 21,0                | 95            | 95         | 105,0   | 76,0        | EBM78N810N  |
| NPT 3"                   | NPT 2 1/2"                 | 60,0 - 64,0    | Triple    | 21,0                | 21,0                | 105           | 95         | 117,0   | 76,0        | EBM810N78N  |
|                          | NPT 3"K                    | 60,0 - 75,0    | Triple    | 21,0                | 21,0                | 95            | 95         | 105,0   | 81,0        | EBM8N8N     |
|                          | NPT 3"                     | 75,0 - 79,5    | Triple    | 21,0                | 21,0                | 105           | 105        | 117,0   | 80,5        | EBM810N810N |
|                          | NPT 4"K                    | 75,0 - 79,5    | Triple    | 21,0                | 21,0                | 105           | 105        | 117,0   | 76,0        | EBM810N10N  |
| NPT 4"                   | NPT 3"                     | 75,0 - 79,5    | Triple    | 21,0                | 21,0                | 115           | 115        | 128,0   | 76,0        | EBM11N810N  |
|                          | NPT 4"K                    | 75,0 - 85,0    | Triple    | 21,0                | 21,0                | 120           | 115        | 134,0   | 84,5        | EBM10N10N   |
|                          | NPT 4"                     | 85,0 - 95,0    | Triple    | 21,0                | 21,0                | 120           | 115        | 134,0   | 83,0        | EBM11N11N   |

\* Only Ex e/ Ex tb execution.